



## Product data sheet

# Adjustable Elbows

### Description

- Metal Zinc's adjustable elbows are used for low pressure applications and can be adjusted to any degree.

### Features

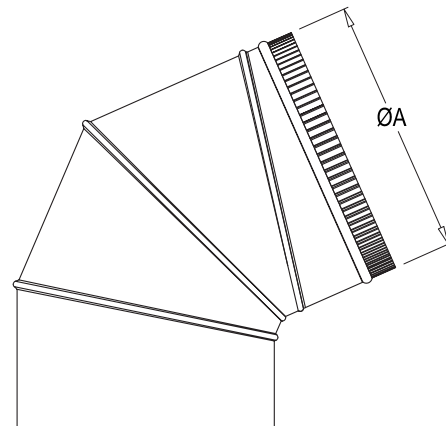
- Meets SMACNA requirements (3rd Edition Section 3.29 Figure 3-4)
- Pressure rating (+/- 2 water gauge)
- Adjusts to any degree
- Welded seam for added strength and low leakage
- Packaged in trays for efficient field handling and keeping elbows enclosed for cleanliness

### Standard Construction

- Manufactured using 26 GA ASTM material

### Optional Constructions

- 24 GA Galvanized
- Stainless Steel 304 & 316
- Aluminum
- PCD
- Galvanneal (Paint Grip)
- Agion (Antimicrobial Coating)



### Packaging

Size (in) A	Gauge	Row Qty	Skid Qty
3	26/30	64	1728
4	26/30	36	1088
5	26/30	25	550
6	26/30	16	480
7	26/30	12	200
8	26/30	9	200
9	26/30	6	162
10	26/30	5	80
12	26	4	64
14	26	n/a	MTO
16	26	n/a	MTO
18	26	n/a	MTO
20	26	n/a	MTO