



Product data sheet

Bellmouth Collars

Description

- Metal Zinc's Bellmouth Collar is used for medium and high pressure applications to aid in air distribution from square trunk line.

Features

- One piece spun design
- 1/8" x 1" double sided neoprene gasket

Standard Construction

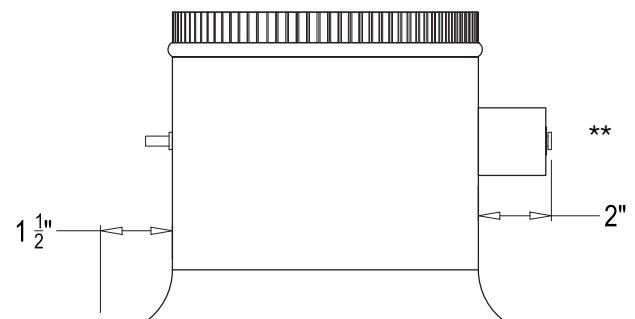
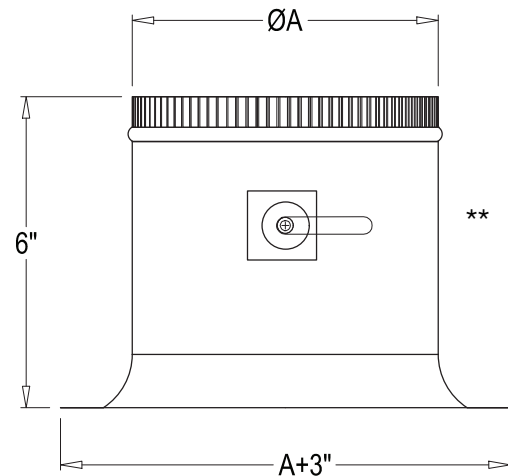
- Manufactured with spun down 16GA galvanized steel G60 material ASTM A653
- Crimp and bead
- Factory punched screw holes

Optional Construction

- Damper Blade with zero-leak snap-in bushing
- Standoff
- G90 Galvanized

Packaging

Size A (in)	Row Qty	Skid Qty
4	MTO	MTO
6	20	360
8	16	288
10	12	216
12	8	144
14	6	108
16	MTO	MTO



**Bellmouth tap with volumn damper available.
Made and priced to order.