



Product data sheet

Conductor Pipe

Description

- Metal Zinc's conductor pipe is available in 3", 4" and 5" inner diameter, and manufactured at 10' lengths.
- Manufactured in 26, 28, and 30 gauge constructions.
- Commonly used for dryer vents, fresh air intakes, bathroom exhaust, non-commercial kitchen range hood exhausts and other HVAC exhaust applications.

Features

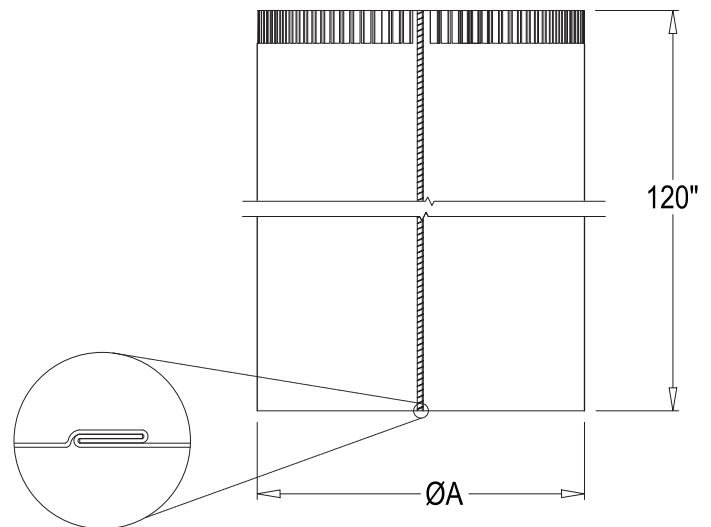
- Crimped on one end allowing installation of fittings or additional sections of pipe for longer runs
- Both ends of pipe are covered to keep the external environment from contaminating the interior in compliance with LEED requirements
- Longitudinal seam eliminates use of additional duct sealer

Standard Construction

- Standard material: galvanized steel complying with ASTM A525.
- Sold in pallet quantities

Optional Construction

- Stainless steel 304 & 316
- Paint-grip
- Galvalume
- Aluminum
- Pre-painted material



Packaging

Gauge	Size (A)	Pallet Quantity
30 Ga	3	224
	4	120
28 Ga	3	224
	4	120
26 Ga	3	224
	4	120
	5	72