



Product data sheet

Heavy Duty Press-On Tap w/damper (Airtight)

Description

- Metal Zinc's Press-On Tap is used for low and medium pressure applications.

Features

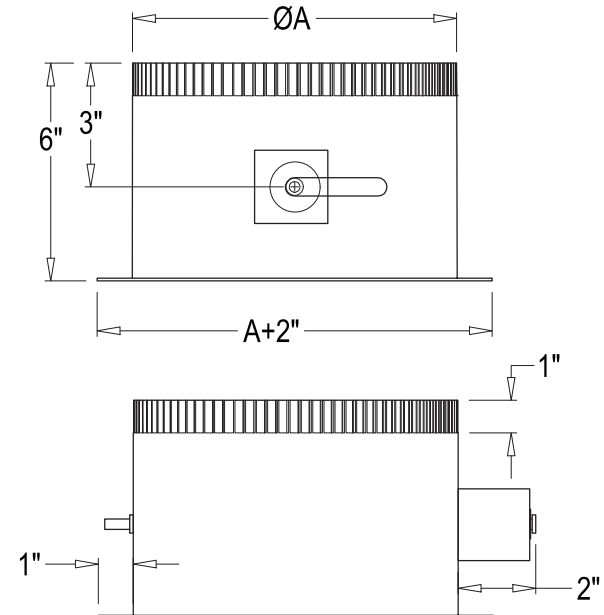
- Meets SMACNA requirements – (2005 3rd Edition Section 4.8 Figure 4-6)
- Made from one piece of metal
- Welded seam for added strength and low leakage
- Pressure rating +10" water gauge

Standard Construction

- Manufactured using 24GA ASTM A653
- 3/8" square rod with 2" standoff
- 1" flange
- 1/8" x 1" polyethylene "high density" dye stamped gasket
- Available dimensions: 4" to 16"

Optional Constructions

- Scoop
- G90 Galvanized
- Crimp & Bead
- Stainless Steel 304 & 316
- Aluminum
- PCD
- Paint Grip
- Agion (Antimicrobial Coating)



Packaging

Size A (in)	Row Qty	Skid Qty
4	MTO	MTO
6	30	300
8	20	200
10	12	120
12	9	90
14	6	90
16	6	90

Product data sheet

Economy Press-On Tap with Damper

PRODUCT AVAILABLE

PRODUCT SHEET TO COME



Product data sheet

Press-On Tap w/o damper

(Airtight)



Description

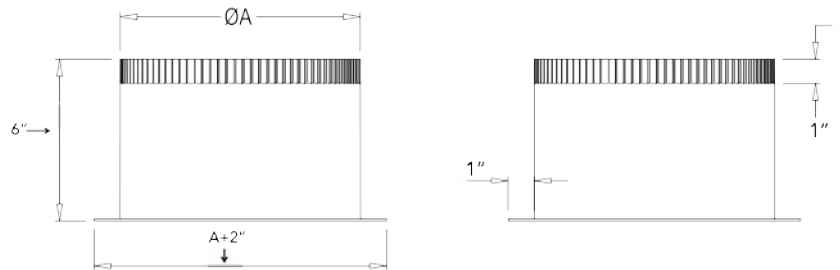
Metal Zinc's Press-On Tap is used for low and medium pressure applications.

Features

- Meets SMACNA requirements – (2005 3rd Edition Section 4.8 Figure 4-6)
- Made from one piece of metal
- Welded seam for added strength and low leakage
- Pressure rating +10" water gauge

Standard Construction

- Manufactured using 24GA ASTM A653
- 1" flange
- 1/8" x 1" polyethylene "high density" dye stamped gasket available
- Available dimensions: 4" to 16"



Optional Constructions

- Scoop
- G90 Galvanized
- Crimp & Bead
- Stainless Steel 304 & 316
- Aluminum
- PCD
- Paint Grip
- Agion (Antimicrobial Coating)

Packaging

Size A (in)	Row Qty	Skid Qty
4	MTO	MTO
6	30	300
8	20	200
10	12	120
13	9	90
14	6	90
16	6	90