



Product data sheet

Heavy Duty Spin-in Tap

Description

- Metal Zinc's Heavy Duty Spin-in Tap uses a 3/8" square rod to damper connection for metal duct.

Features

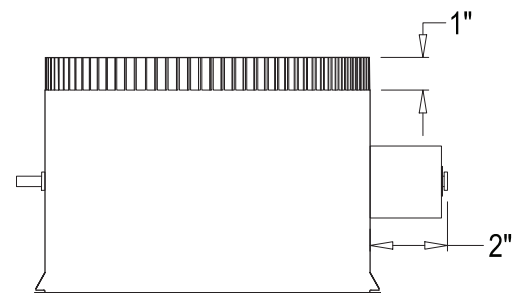
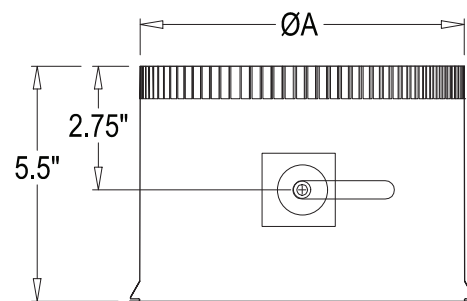
- 2" standoff controller with handle and wingnut
- Full metal blade and connections
- Meets SMACNA requirements (2005 3rd edition Sec. 4.8 fig. 4-6)
- Made from one piece of metal - with welded seam for added strength and low leakage

Standard Construction

- 4" to 16" internal opening
- 26 GA galvanized steel ASTM A653
- 3/8" square rod with 2" standoff

Optional Construction

- Crimp and bead can be added
- Stainless steel 304 & 316
- Paint grip
- Aluminum
- Agion (Antimicrobial Coating)



Packaging

Size A (in)	GA	Row Qty	Skid Qty
4	26	MTO	MTO
6	26	30	300
8	26	20	200
10	26	12	120
12	26	12	120
14	26	9	90
16	26	9	90

Product data sheet

Economy Spin-in Tap

Product Available

Product Data sheet TO COME



Metal Zinc, LLC

HVAC hardware and accessories

19408 Kenswick Drive, Humble, TX, 77338-8147

Office: (832) 252-9116 Fax: (281) 547-7326

To order: orders@metalzincmfg.com



Product data sheet

Spin-in Tap no damper

TO COME