



Product data sheet

Snap Lock Pipe

Description

- Metal Zinc's Snap Lock Pipe is used for low pressure applications ranging from grill run-outs to fresh air intakes.

Features

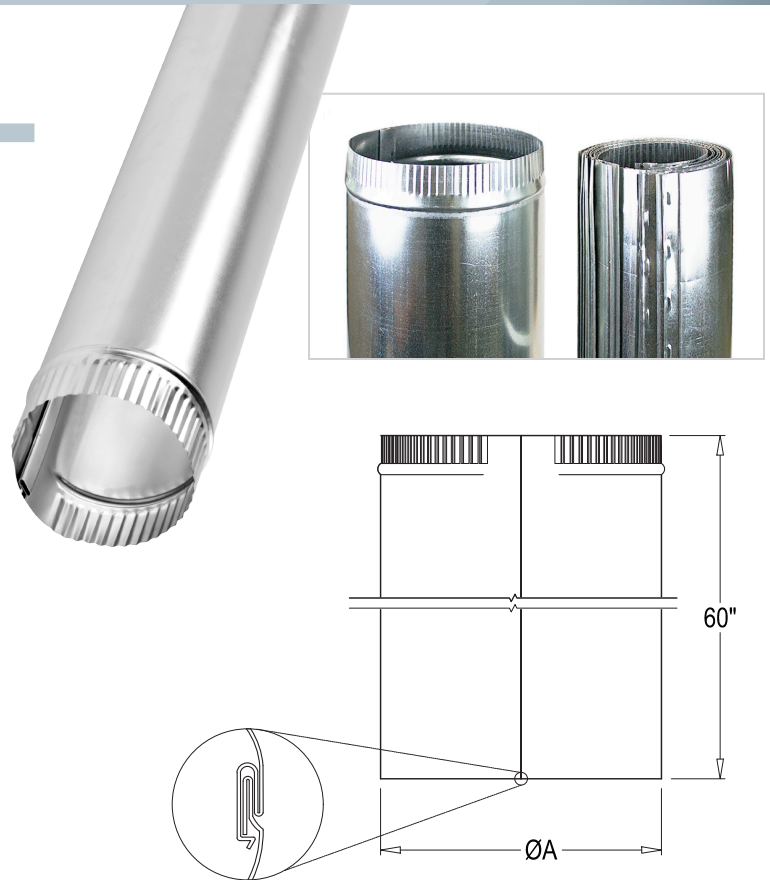
- Meets SMACNA RL-8 Longitudinal Seam – (page 3.5 fig. 3-2 in 2005 3rd edition)
- Button Locks come standard on every piece
- Pressure rating (-1" to +2" water gauge)
- Bundled together for efficient packaging and field handling

Standard Construction

- Manufactured from 26 and 30 GA galvanized steel complying with ASTM A653
- 60" length

Optional Construction

- 24", 36" & 48" lengths
- Stainless Steel 304 & 316
- Aluminum
- PCD
- Galvanneal (Paint Grip)
- Agion (Antimicrobial Coating)
- Special coatings on large quantities, subject to additional lead time
- ** Made to order products are subject to 5 day working lead time



Packaging

Gauge	Size A (in)	Length (in)	Bundle Qty	Skid Qty
26/30	4	60	10	450
26/30	5	60	10	450
26/30	6	60	10	350
26/30	7	60	10	300
26/30	8	60	5	250
26/30	9	60	5	200
26/30	10	60	5	200
26/30	12	60	5	75
26/30	14	60	5	60
26 ONLY	16	60	5	55
26 ONLY	18	60	5	MTO
26 ONLY	20	60	5	MTO
26 ONLY	22	60	5	MTO
26 ONLY	24	60	5	MTO