

Duct Board Assembled Start Collars with Damper

Description

Metal Zinc's duct board start collars with damper create a connection between round pipe/ flex and duct board plenums, transitions, triangles, and boxes

Features

2" Long "teeth" to allow connections to R4, R6, and R8 duct board

Crimped end allows easy connection to pipe

Ring keeps collar secure to duct board

Efficient damper regulates airflow

Standard Construction

Manufactured from 28-gauge galvanized steel complying with ASTM A653

Sold in box/tray quantities

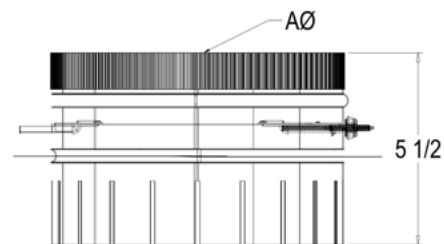
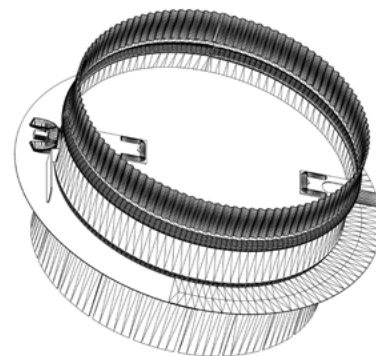
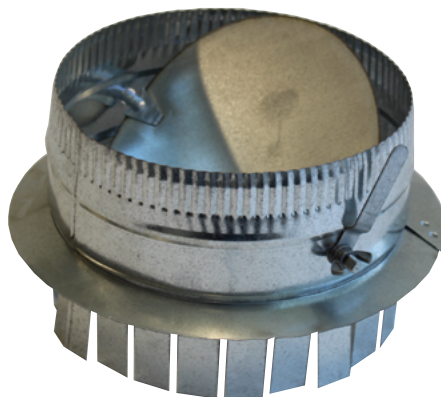
Optional Construction

Agion (Antimicrobial)

Galvanneal (Paint Grip)

PCD

Stainless Steel 304 and 316



Packaging

Metal Zinc Part Number	Size A Inches	Gauge	Box/Tray Quantity	Pallet Quantity
DBSCAS04-VD	4	28	76	912
DBSCAS05-VD	5	28	36	432
DBSCAS06-VD	6	28	36	432
DBSCAS07-VD	7	28	20	240
DBSCAS08-VD	8	28	20	240
DBSCAS09-VD	9	28	15	180
DBSCAS010-VD	10	28	15	180
DBSCAS012-VD	12	28	12	144
DBSCAS014-VD	14	28	9	108
DBSCAS016-VD	16	28	5	60
DBSCAS018-VD	18	28	5	60
DBSCAS020-VD	20	28	5	60
DBSCAS022-VD	22	28	5	60
DBSCAS024-VD	24	28	5	60