

COLLARS AND TAPS

2.2B

Sheetmetal Assembled Start Collars

- NO VOLUME DAMPER

Description

Metal Zinc’s sheetmetal assembled start collars create a connection between round pipe and metal plenums, transitions, and triangles

Features

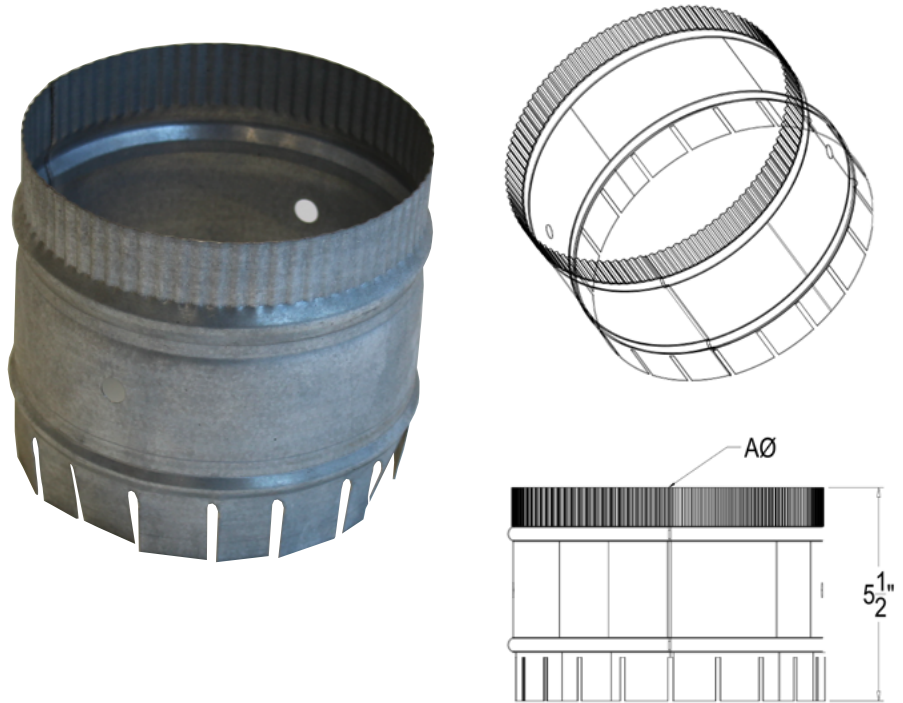
- “Teeth” makes connection to sheetmetal easy and secure
- Crimped end allows solid connection to pipe
- Riveted assembly for strength and durability

Standard Construction

28-Gauge galvanized steel, ASTM A653
 Sold in Box/Tray quantities

Optional Construction

Agion (antimicrobial)
 Galvanneal (paint grip)
 PCD
 Stainless Steel 304 and 316



Packaging

Metal Zinc Part Number	Size A Inches	Gauge	Box/Tray Quantity	Pallet Quantity
SCAS04	4	28	76	912
SCAS05	5	28	36	432
SCAS06	6	28	36	432
SCAS07	7	28	20	240
SCAS08	8	28	20	240
SCAS09	9	28	15	180
SCAS10	10	28	15	180
SCAS12	12	28	12	144
SCAS14	14	28	9	108
SCAS16	16	28	5	60
SCAS18	18	28	5	60
SCAS20	20	28	5	60
SCAS22	22	28	5	60
SCAS24	24	28	5	60