

COLLARS AND TAPS

2.9A

HETO with Heavy Duty Damper

Description

Metal Zinc's HETO (High Efficiency Take Off) with damper and heavy duty standoff is used in low and medium pressure applications.

Features

Meets SMACNA requirements for pressure rating +10 water gauge

Welded seams for strength and low leakage

Heavy duty 2" standoff, 3/8" aluminum rod and blade for maximum efficiency



Standard Construction

Manufactured using 26-gauge ASTM A653 material

1/8" x 1" polyethylene "high density" gasket

Heavy Duty Handle

1" flange

6" collar

Optional Construction

Agion (antimicrobial coating)

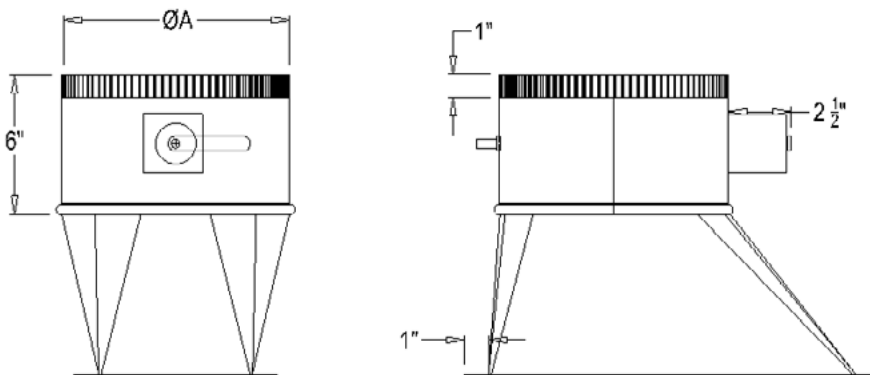
Aluminum

Galvanneal (paint grip)

Stainless steel 304 and 316

G-90 Galvanized

Orange handle



Packaging

Metal Zinc Part Number	Size A Inches	Row Quantity	Pallet Quantity
SF1055-EE	4	20	120
SF1065-EE	6	16	96
SF1075-EE	8	16	96
SF1085-EE	10	12	72
SF1090-EE	12	9	54
SF1095-EE	14	8	48
SF1100-EE	16	5	30