

COLLARS AND TAPS

2.11

# Rectangle on Round Tap (Grill Tap)

## Description

Metal Zinc's Rectangle on Round Tap is designed for direct mount onto round pipe applications to accept register grills.

## Features

- 26-gauge galvanized steel ASTM A653
- Flange measures to size of round pipe
- Double sided gasket
- 1" flange inside rectangle

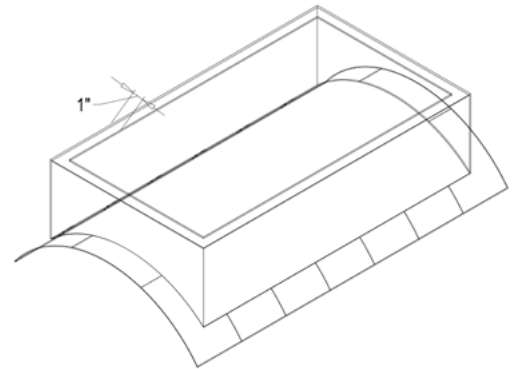
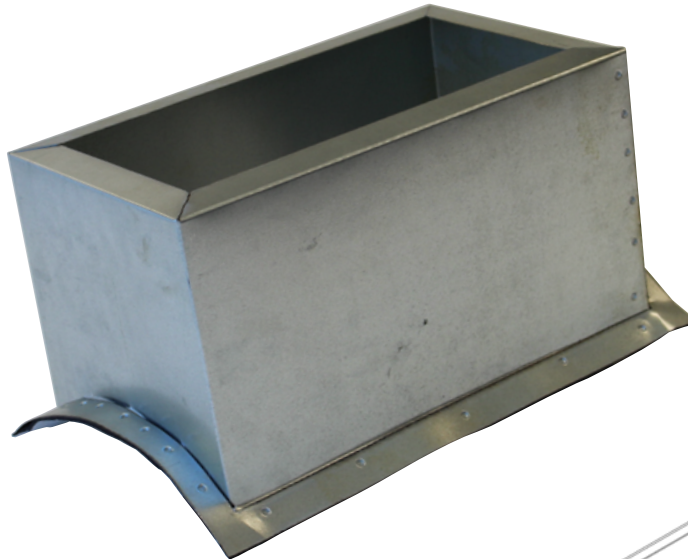
## Standard Construction

- 3" and 6" tall off of pipe
- 4 box sizes: 8 x 4, 10 x 6, 12 x 6, 14 x 6

## Optional Construction

- 1" lined
- Factory installed volume damper
- Galvanneal (paint grip)

\*Made to order items will require 5 working days for manufacturing



## Packaging

Metal Zinc Part Number	Size Inches	Gauge	Bundle Quantity	Pallet Quantity
HI-PR-GRTP-843-PG-1IN	8 x 4 x 3	26	NA	MTO
HI-PR-GRTP-1063-PG-1IN	10 x 6 x 3	26	NA	MTO
HI-PR-GRTP-1263-PG-1IN	12 x 6 x 3	26	NA	MTO
HI-PR-GRTP-1463-PG-1IN	14 x 6 x 3	26	NA	MTO
HI-PR-GRTP-846-PG-1IN	8 x 4 x 6	26	NA	MTO
HI-PR-GRTP-1066-PG-1IN	10 x 6 x 6	26	NA	MTO
HI-PR-GRTP-1266-PG-1IN	12 x 6 x 6	26	NA	MTO
HI-PR-GRTP-1466-PG-1IN	14 x 6 x 6	26	NA	MTO