

## Fresh Air Boxes

### Description

Metal Zinc's Fresh Air Box is used to filter the outside air before it enters the HVAC system.

### Features

Easily connects to new or existing fresh air ductwork

Space for "10x10"x1" or 12"x12"x1" filter

1" flange to connect to return air plenum

### Standard Construction

Manufactured using 26-gauge galvanized steel ASTM A653

Standard 10"x10" and 12"x12" sizes

Heavy duty clasp and hinges on filter section

6" and 8" collars

"Tested Tight" for no leaks

Comes assembled

Duct board top without collar available

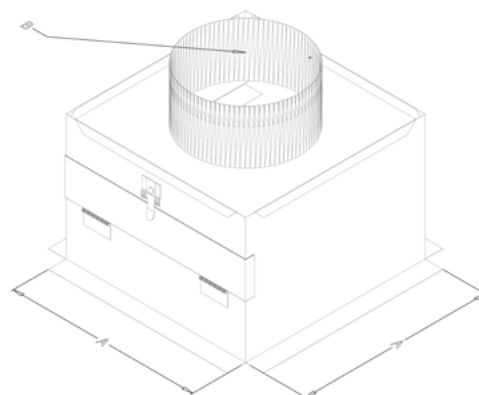
### Optional Construction

R6 Insulated

Damper optional (-VD)

Special metal models are possible

Alternate box sizes



### Packaging

Metal Zinc Product Number	Size (in) AxA-B	Gauge	Bundle Quantity	Pallet Quantity
OA10x10-6	10X10-6"RD	26	10	200
OA10x10-6-R6	10X10-6"RD-R6 INS	26	10	200
OA10x10-8	10X10-8"RD	26	10	200
OA10x10-8-R6	10X10-8"RD-R6 INS	26	10	200
OA10x10-DB	10X10-DB TOP	26	10	200
OA12x12-6	12X12-6"RD	26	10	200
OA12x12-6-R6	12X12-6"RD-R6 INS	26	10	200
OA12x12-8	12X12-8"RD	26	10	200
OA12x12-8-R6	12X12-8"RD-R6 INS	26	10	200
OA12x12-DB	12X12- DB TOP	26	10	200