

Copper Box

Description

Metal Zinc's Copper Box effectively cover line set penetrations into the house.

Features

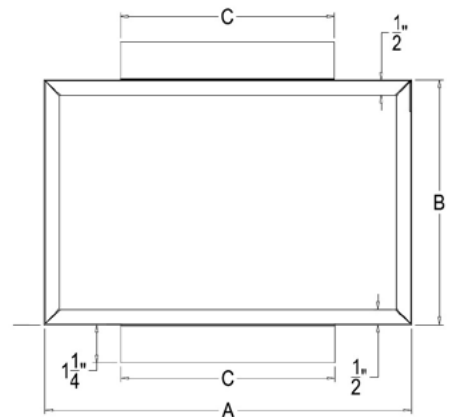
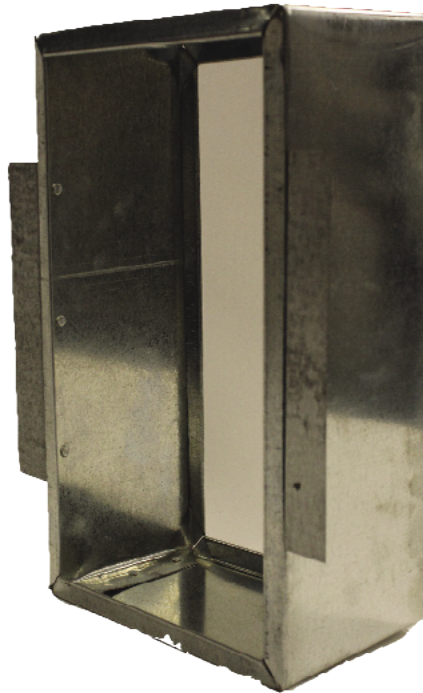
- Galvanized for weather resistance
- 12x8 standard size covers large line set penetrations
- Back sheet cover plate included

Standard Construction

- Manufactured using 26-gauge galvanized steel ASTM A653
- Sold in bundles of 12
- 240 per pallet

Optional Construction

- Aluminum
- Galvanneal (paint grip)
- Multiple sizes
- Stainless steel 304 and 316



Packaging

Metal Zinc Product Number	Size	Gauge	Bundle Quantity	Pallet Quantity
COPBx128	12" x 8"	26	12	240